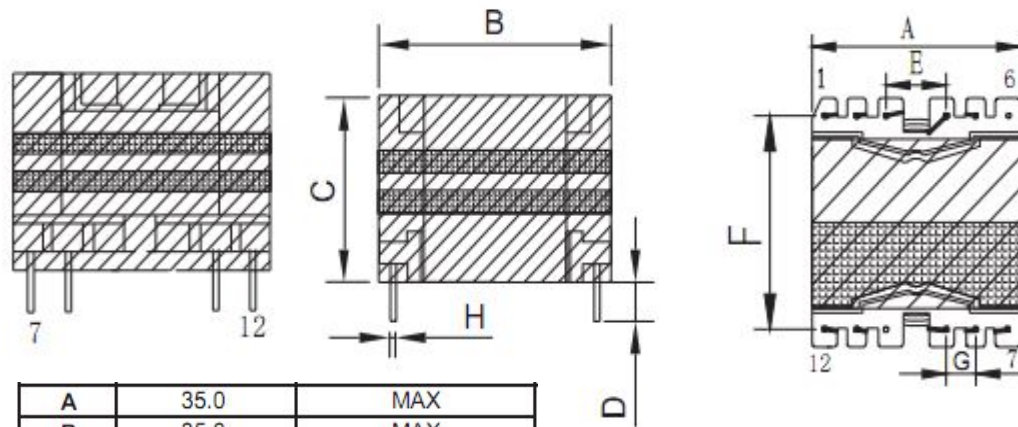


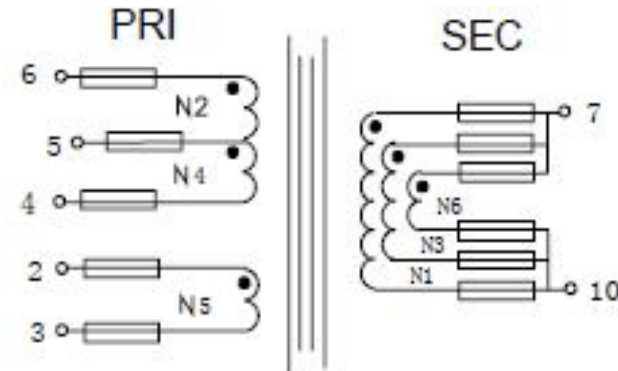
CUSTOMER TERMINAL	ROHS	Lead(Pb)-free
	YES	YES

1. Mechanical Dimensions



A	35.0	MAX
B	35.0	MAX
C	23.5	MAX
D	3.5	±0.5
E	7.6	±0.3
F	30.0	±0.4
G	5.0	±0.3
H	0.80	±0.1

2. Schematic Diagram



3. Material List

Core:FW44 PQ3220

Bobbin:FWB3201-1(6+6PIN)

Wire: TIW 2UEW

Copper foil:0.025t*8.0mm

Operating Temperature: -30 to115 °C

4. Electrical Specification

Inductance : $L(6-4):1.55\text{mH}\pm 5\%$ 30KHZ , 1.0V

Leakage Inductance : 15uH MAX 30KHZ , 1.0V

DCR : $(4-6)=1.406\Omega$ MAX $(10-7)=27.4\text{m}\Omega$ MAX

Hi-Pot:P-S: AC 60Hz 4000V 2mA 3S

S-CORE: AC 60Hz 500V 2mA 3S

REV.	DATE	<p>Convention Placement</p>	DRW.	Drawing Title:	Part No:		
0	00/00		CHK.			TRANSFORMER	FWPTPQ3220V152J-1
			APP.			Customer P/N	Specification Sheet 1of 1
ROHS		www.ferriwo.com					